



Hamso
ENGINEERING

ArFi Handheld Specification

1. DESCRIPTION	1
2. SPECIFICATIONS	2
3. DRAWINGS	3
4. HISTORY CHANGE RECORD.....	5



1. DESCRIPTION

The ArFi Handheld is a haptic measurement device that enables the user to quantify vibrations while being in the field. The device records data in terms of load and acceleration using sensors built into the probe.

The UI is accessed via the touchscreen on the measurement unit. Data collected can be visualized on the screen on the device or exported to different software through USB or via Wi-Fi.

The device is shipped with two hand straps (different sizes) to be attached to the ArFi Handheld. They fasten to the VESA compatible connectors on the back of the measuring unit.

The probe can be used to trigger capacitive buttons or surfaces by use of the CapaFinger*. The device can also be used together with the *HEBO in order to power haptic actuators.

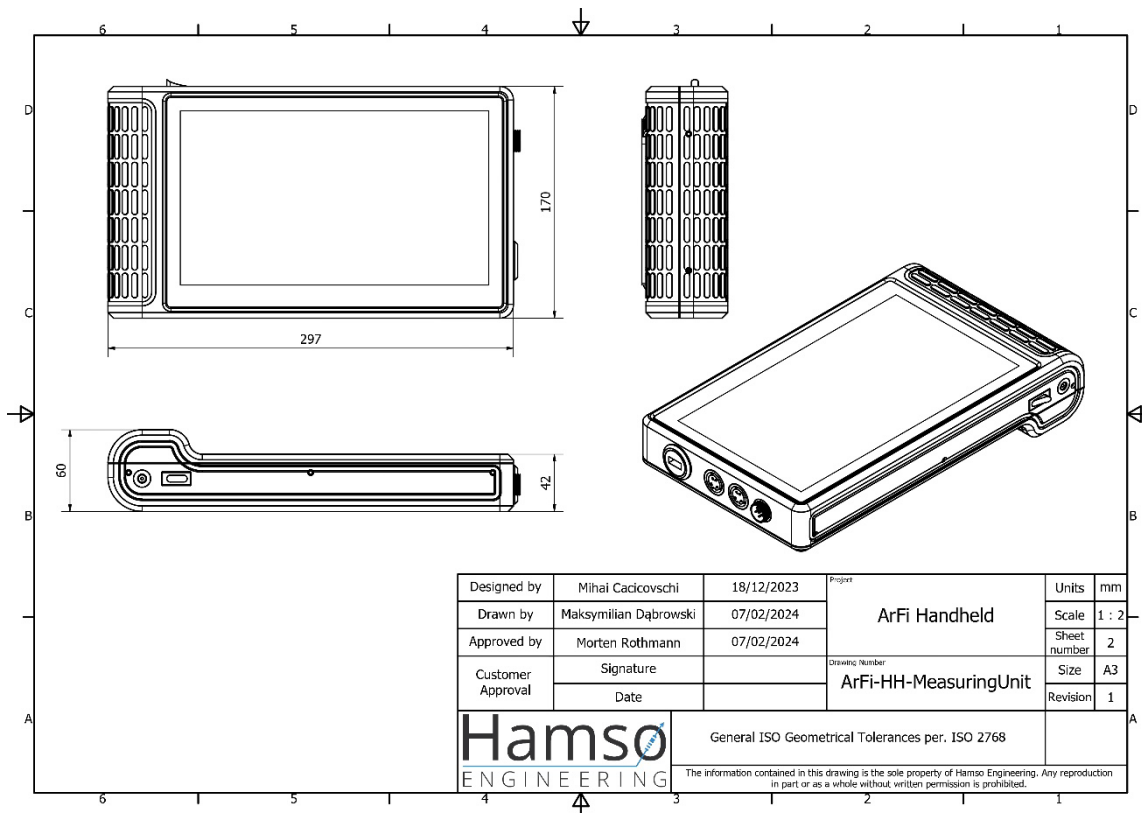
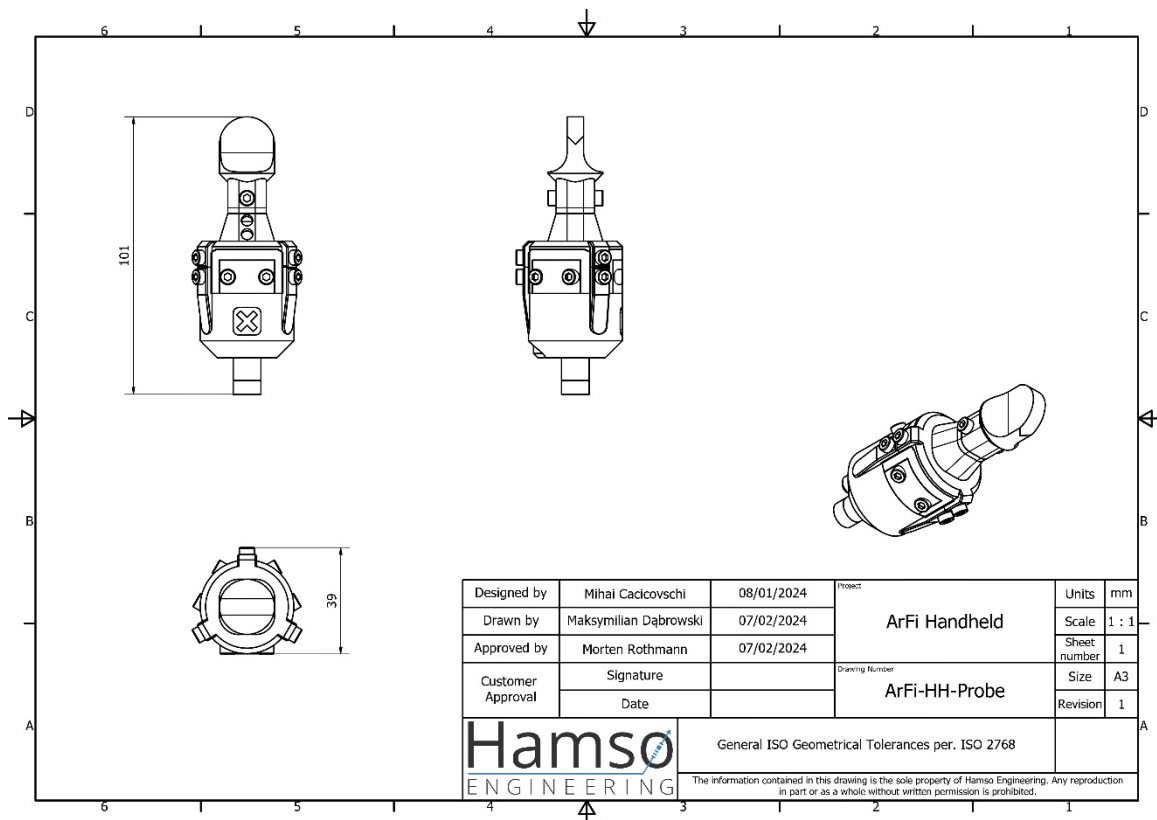
* The CapaFinger is not a part of the ArFi Handheld package and should be bought separately.

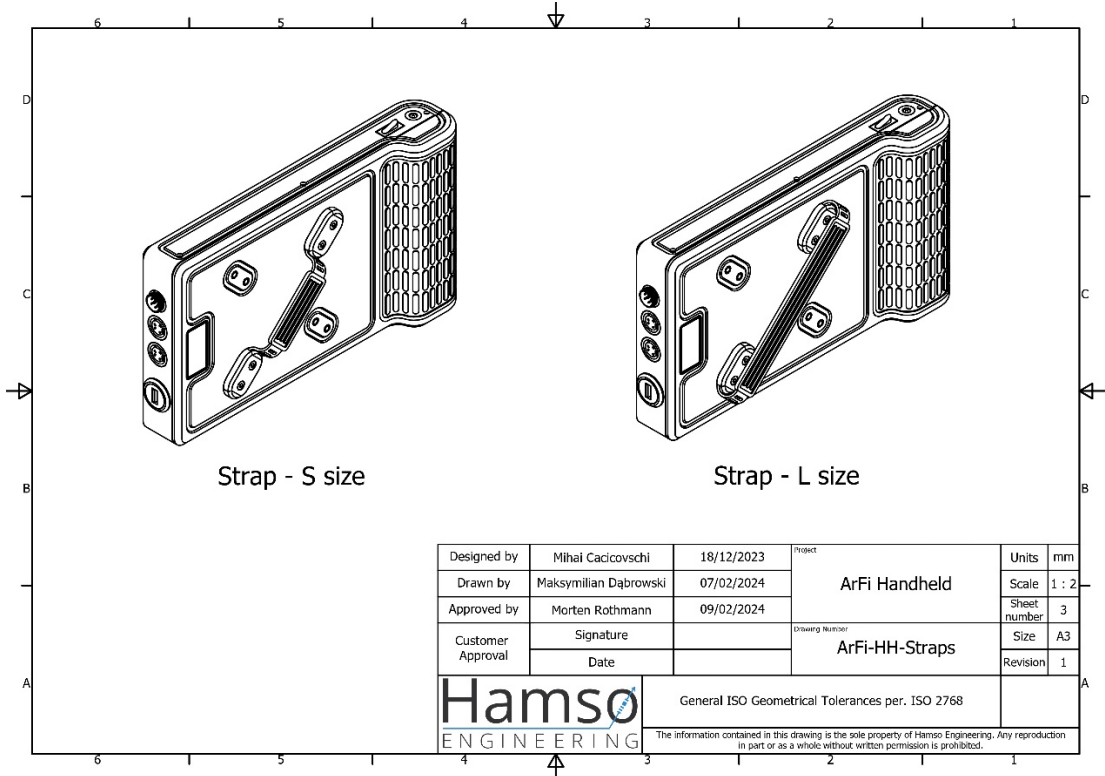
* The HEBO is not a part of the ArFi Handheld package and should be bought separately.

2. SPECIFICATIONS

Parameter	Unit	Conditions / Description	MIN	TYP	MAX
Dimensions - Measuring unit	mm	302x170x63			
Dimensions - Probe	mm	101x39x39			
Power cable length	mm	1500			
Probe cable length	mm	800			
Load Force	N		0.1		20
Load Resolution	N			0.1	
Acceleration Scale	g	x, y, z axis	-16	+/-4	+16
Acceleration Resolution	Hz	Single accelerometer		6500	
Frequency Range	Hz		0		20000
Output Voltage	V			5	
Outputs				USB, Wi-Fi	
Operating Voltage	V			12	
Operating Power	W		15	24	30
Operating Temperature	°C		0		40
Storage Temperature	°C		-20		70
Packaging				Flight Case	
Weight - Measuring unit	g			1.300	
Weight - Probe	g			160	

3. DRAWINGS





4. HISTORY CHANGE RECORD

REV	CHANGE ITEMS		DATE
	TYPE	AFTER CHANGE	
1		Initial Version	2024.02.07

We engineer solutions for the future



Alsion 2
6400 Sønderborg



info@hamso.dk



+45 51 26 93 81



/hamso-engineering-aps